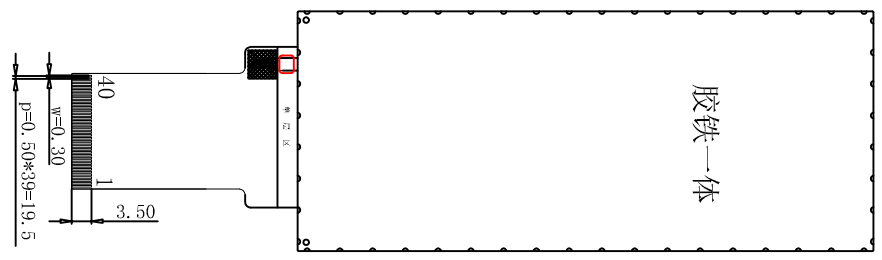
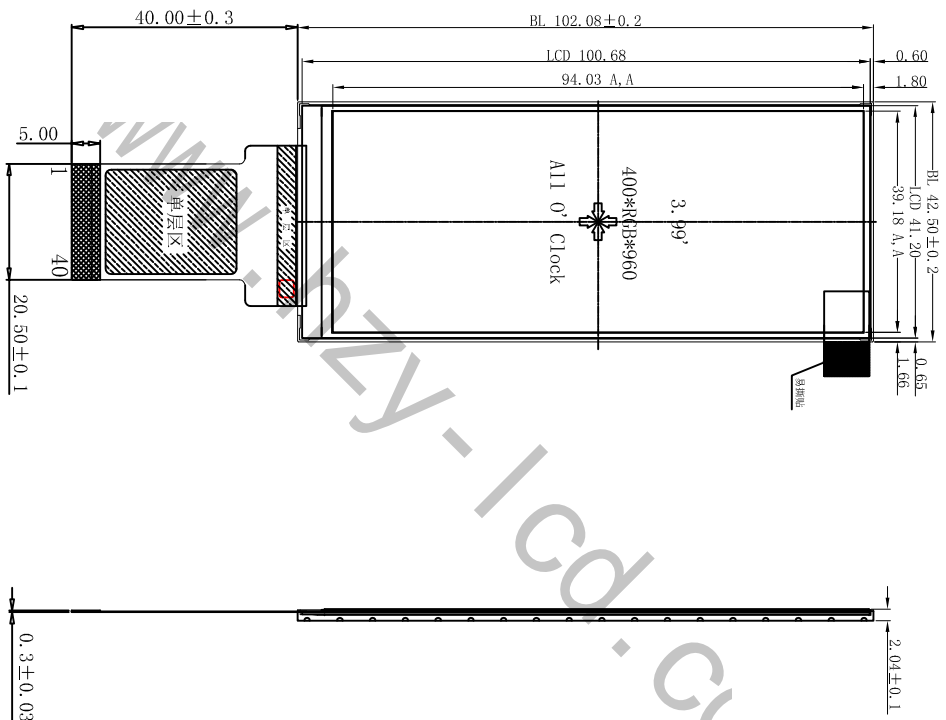


ROSH

Revision	Dispersion	Date	Signed
01	First	2022.12.19	YP

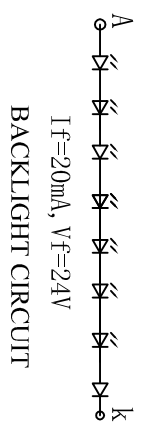


No	PIN NAME
1	LEDA
2	LEDB
3	LEDC
4	GND
5	VCC(3.3V)
6	RESET
7	NC
8	NC
9	SDA
10	SCL
11	CS
12	DECLK
13	DE
14	VS
15	HS
16	DB0 B0
17	DB1 B1
18	DB2 B2
19	DB3 B3
20	DB4 B4
21	DB5 B5
22	DB6 G0
23	DB7 G1
24	DB8 G2
25	DB9 G3
26	DB10 G4
27	DB11 G5
28	DB12 R0
29	DB13 R1
30	DB14 R2
31	DB15 R3
32	DB16 R4
33	DB17 R5
34	GND
35	TP1NF/NC
36	TP50V/NC
37	TPSCL/NC
38	TPRET/NC
39	TPVCC/NC
40	GND

3SPI+18RGB

NOTES:

1. DISPLAY TYPE: 3.99" TFT, TRANSMISSIVE
2. DRIVER IC: ST7701S
3. VIEWING DIRECTION: ALL' Clock
4. BACKLIGHT: 8 pcs White LED
5. INPUT CURRENT: VCC 2.8V (type)
6. OPERATING TEMP: -20° C ~ +70° C
7. STORAGE TEMP: -30° C ~ +80° C
8. UNDEFINED DIMENSION TOLERANCE: ±0.2mm
9. ROHS COMPLIABLY



深圳市华之洋光电科技有限公司  
Shenzhen HZY Photoelectric Technology Co., Ltd

Customer Ref.	Model No.	Drawing Title	HZ3992PPBS01-A0
Part No.	Approve	Material	Unmarked
Drawing No.	Checked	LCM	Tolerance
	Draw	Date	2022.12.19
		Rev	00
		Unit	mm
		Scale	--
		Page	1 of 1