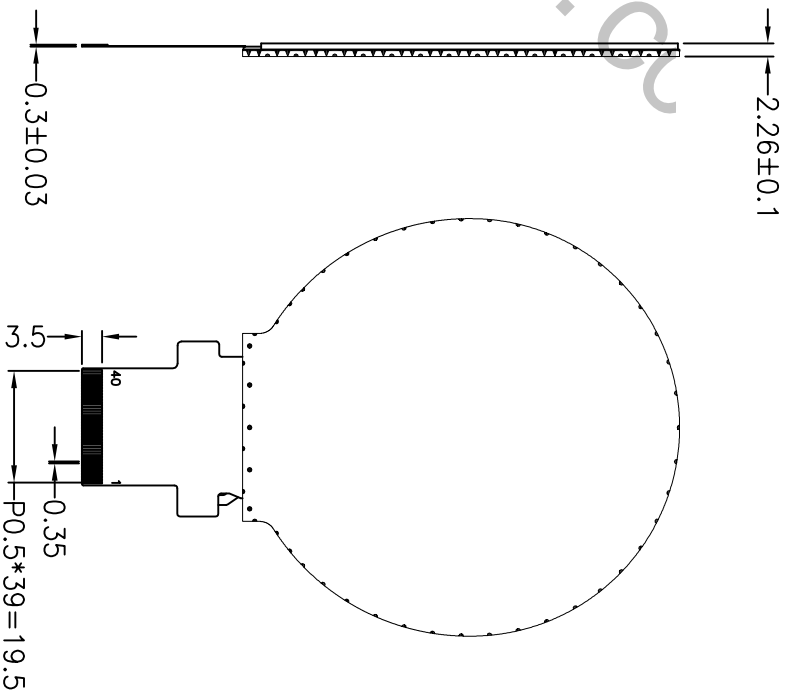
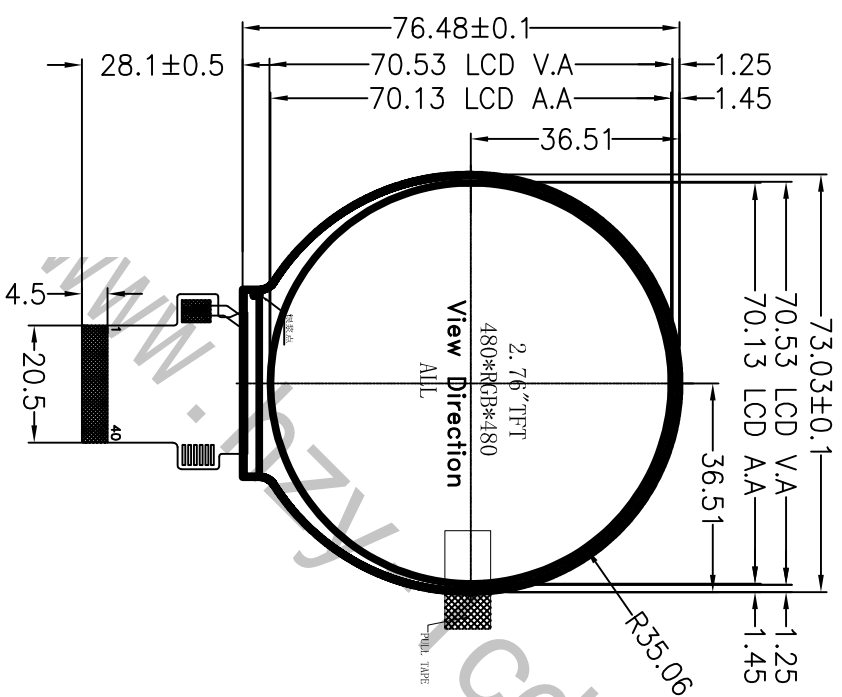


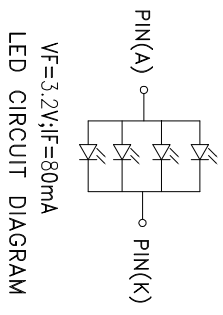
Revision	Dispersion	Date	Signed
01	First	2022.08.26	YP



PIN	DESCRIPTION
1	LEDA
2	LEDK1
3	LEDK2
4	GND
5	VCC
6	RESET
7	NC
8	NC
9	SDA
10	SCK
11	CS
12	POJK
13	DE
14	VS
15	HS
16-33	DB0-DB17
34	GND
35	TP INT
36	TP SDA
37	TP SCL
38	TP RST
39	TP VCC
40	GND

NOTES:

1. DISPLAY TYPE: 2.76" TFT, TRANSMISSIVE
2. DRIVER IC: ST7701S
3. VIEWING DIRECTION: ALL 0'CLOCK
4. BACKLIGHT: 4 pcs White LED
5. INPUT CURRENT: VCC 2.8V (type)
6. OPERATING TEMP: -20°C ~ +70°C
7. STORAGE TEMP: -30°C ~ +80°C
8. UNDEFINED DIMENSION TOLERANCE: ±0.2mm
9. ROHS COMPLIABLY



深圳市华之洋光电科技有限公司
Shenzhen HZY Photoelectric Technology Co., Ltd

Customer Ref.	Model No.	Drawing Title	Material	Unmarked Tolerance	Unit	Scale	Page
---	---	HZ276KPPBS01-A0	LCM	±0.2	mm	---	1 of 1
Part No.	Approve	Checked	Date	2022.08.26	Rev	00	
Drawing No.	Draw	YP					