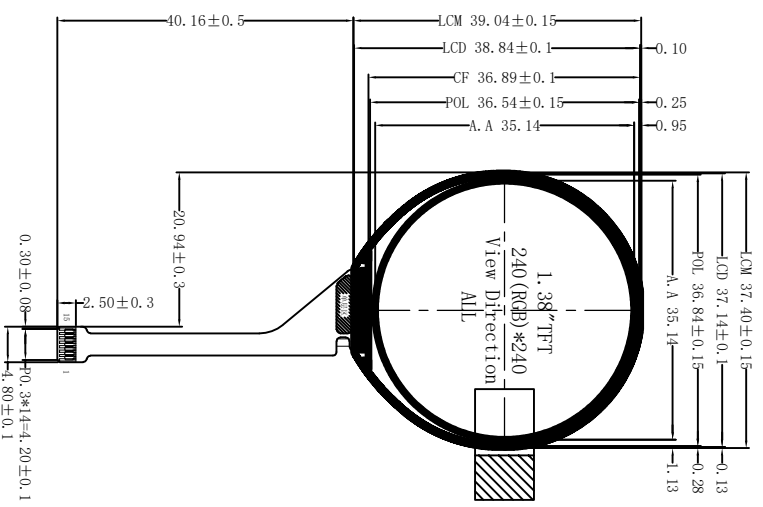
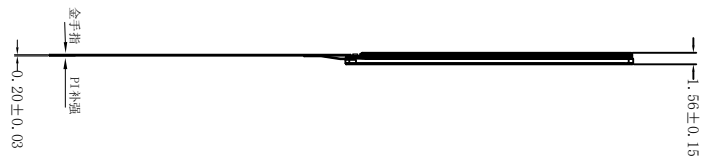


Revision	Description	Date	Signed
A0	First	24.03.13	Allen

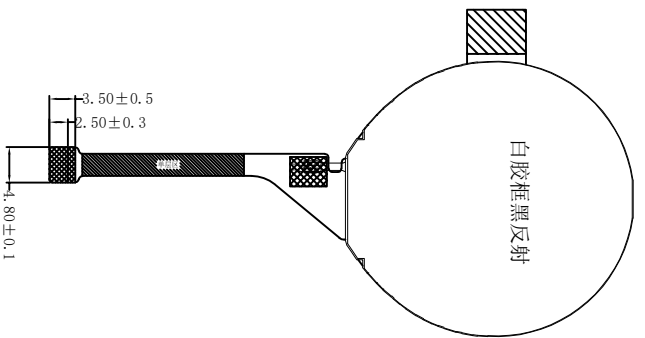
正视图



侧视图



背视图

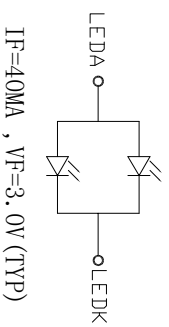


NO.	SYMBOL
1	LEDK
2	GND
3	TE
4	LSDA
5	NC
6	NC
7	NC
8	RS
9	LSCK
10	CS
11	RESET
12	GND
13	VDD
14	VDD
15	LEDA

4-SPI

FPC展开出货

- NOTES:
1. DISPLAY TYPE: 1.38"BOE TFT, TRANSMISSIVE
 2. DRIVER IC: NV3002B
 3. VIEWING DIRECTION: ALL 0° CLOCK
 4. BACKLIGHT: 2 PCS White LED
 5. INPUT CURRENT: VDD 2.8V (TYP)
 6. OPERATING TEMP: -20° C ~ +70° C
 7. STORAGE TEMP: -30° C ~ +80° C
 8. UNDEFINED DIMENSION TOLERANCE: ±0.2mm
 9. ROHS COMPLIABLY



LEDA ○ I_LEDK



深圳市华之洋光电科技有限公司
SHENZHEN HZY PHOTOELECTRIC TECHNOLOGY CO., LTD

Customer Ref.	Model No.	Drawing Title	Material	Unmarked Tolerance	Unit	Scale	Page
---	---	HZ014SPBX01-A0	LCM	±0.2	mm	---	1 of 1
Part No.	Approve	Checked	Date	2024.03.13	Rev 00		
Drawing No.	Draw	Allen					